

## Sink Elettra

Bowl on the left

Kitchen Sinks

Code: 5197 062



### DETAILS

Edge/Installation Type Standard (8 mm Edge)

Finish Foster brushed

Material AISI 304 stainless steel

Texture Foster brushed

Base 60 cm

Dimensions 970x500 mm

Standard fittings Fixing hooks, gasket, drain, overflow and siphon, boxed packing

Mixer holes 1 standard hole - 2nd and 3rd on request

Built-in hole 950x480 mm

Drainer Yes

---

Width 97 cm

---

Bowl dimension 341x400 + 150x300 mm

---

Number of bowls 2 bowls

---

Waste fitting 3,5" drain

---

## FEATURES

Sliding brackets

---

**Added value** Foster uses steel thicknesses higher than those used on average by other manufacturers. This is how, thanks to our long experience, we know how to make sinks of superior quality and with a better resistance to aging.

---

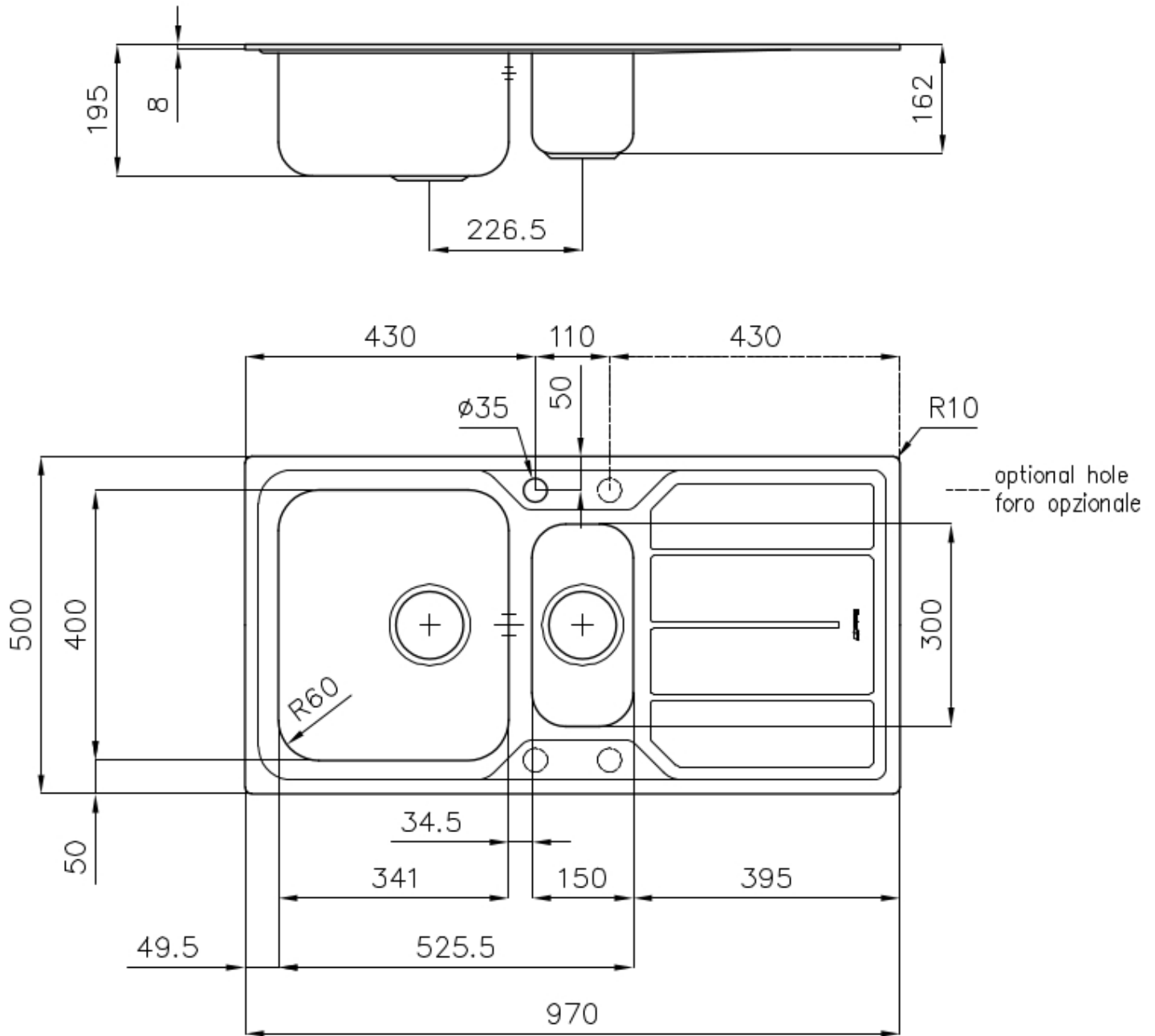
**Basket 3,5" waste fitting** The drain is equipped with a large 3.5" drain, with the practical basket cap that prevents the discharge of solid parts.

---

**2nd / 3rd hole available** The sink can be customized with the execution on request of additional holes, usable for double-hole mixers, for remote controlled drains or for the installation of soap dispensers. The positions are marked on the drawings with dotted line holes.

---

## TECHNICAL DATA



## OPTIONAL ACCESSORIES



**Glass chopping board**  
8631 300



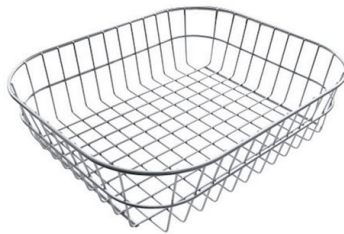
**HPDE Chopping board**  
8657 001



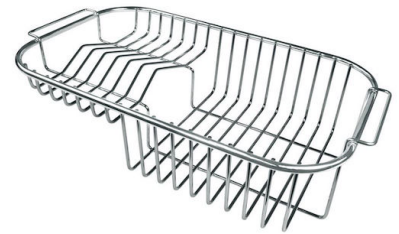
**Iroko-wood chopping board**  
8647 000



**Iroko-wood sliding chopping board**  
8643 000



**Stainless steel basket**  
8611 000



**Stainless steel plate rack**  
8100 301



**White bowl**  
8153 100



**White colander**  
8151 100

## OPTIONAL AUTOMATIC WASTE FITTINGS



**Automatic waste fitting**  
8407 100



**Automatic waste fitting**  
8407 000



**LIRA automatic waste fitting**  
8407 103